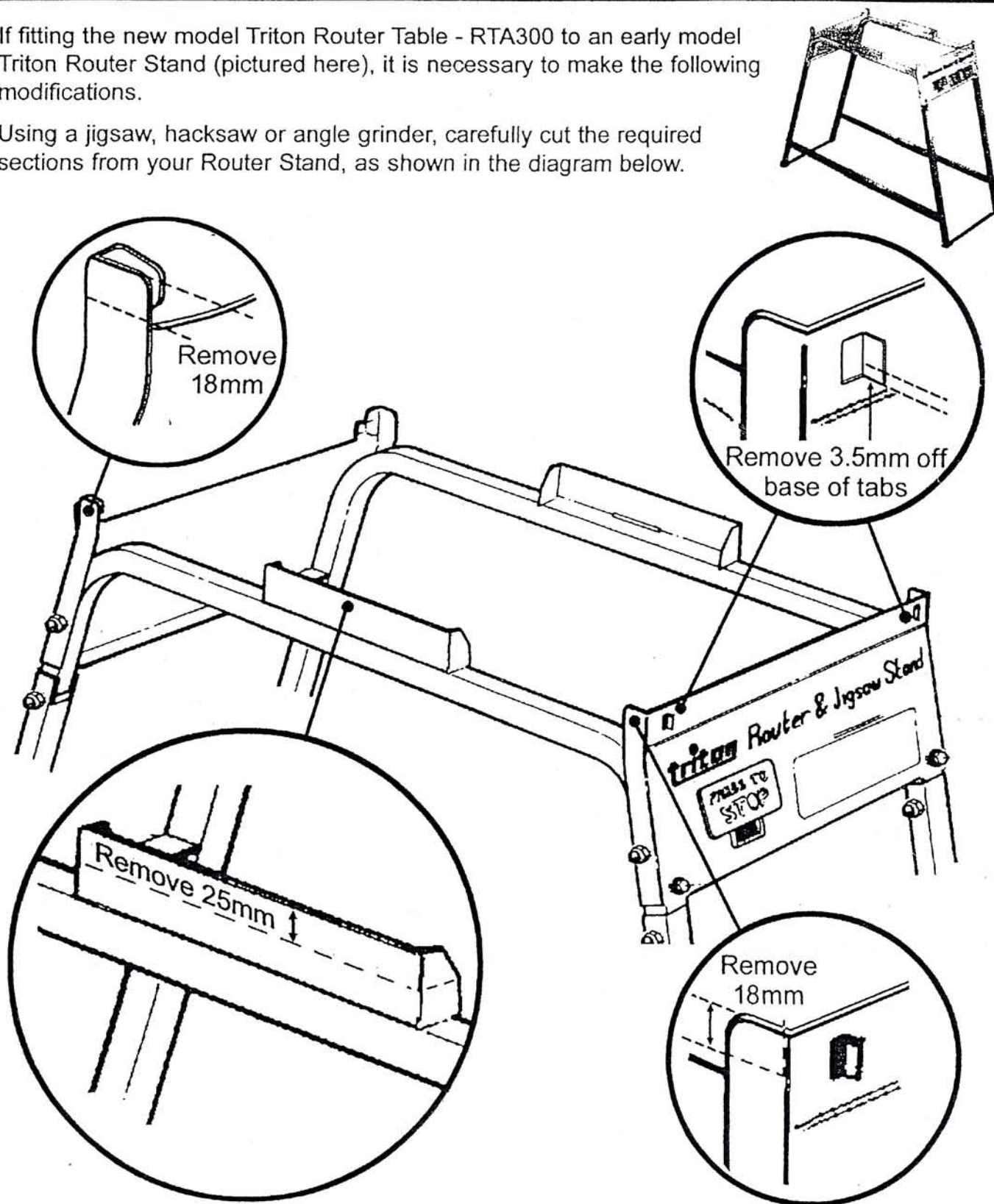


Retro-fitting Instructions for Early Model Triton Router Stands

If fitting the new model Triton Router Table - RTA300 to an early model Triton Router Stand (pictured here), it is necessary to make the following modifications.

Using a jigsaw, hacksaw or angle grinder, carefully cut the required sections from your Router Stand, as shown in the diagram below.



Once you have completed the modifications fit the Router Table over the front end panel of the stand, with the tabs locating through the holes on the inside face of the front tube of the table.

The locking latches at the rear of the table must be reversed from their packed position by swinging the domed post ends of the catches outward and sliding the catches inwards, toward one another. Secure the rear of the table down by lowering it onto the tabs in the rear end panel then sliding the catches outward to engage into the forms on the panel. Refer to Fig. 5 in the Router Table instruction manual.