

triton Router Stand RSA300



Made in Australia

Assembly & Operating Instructions

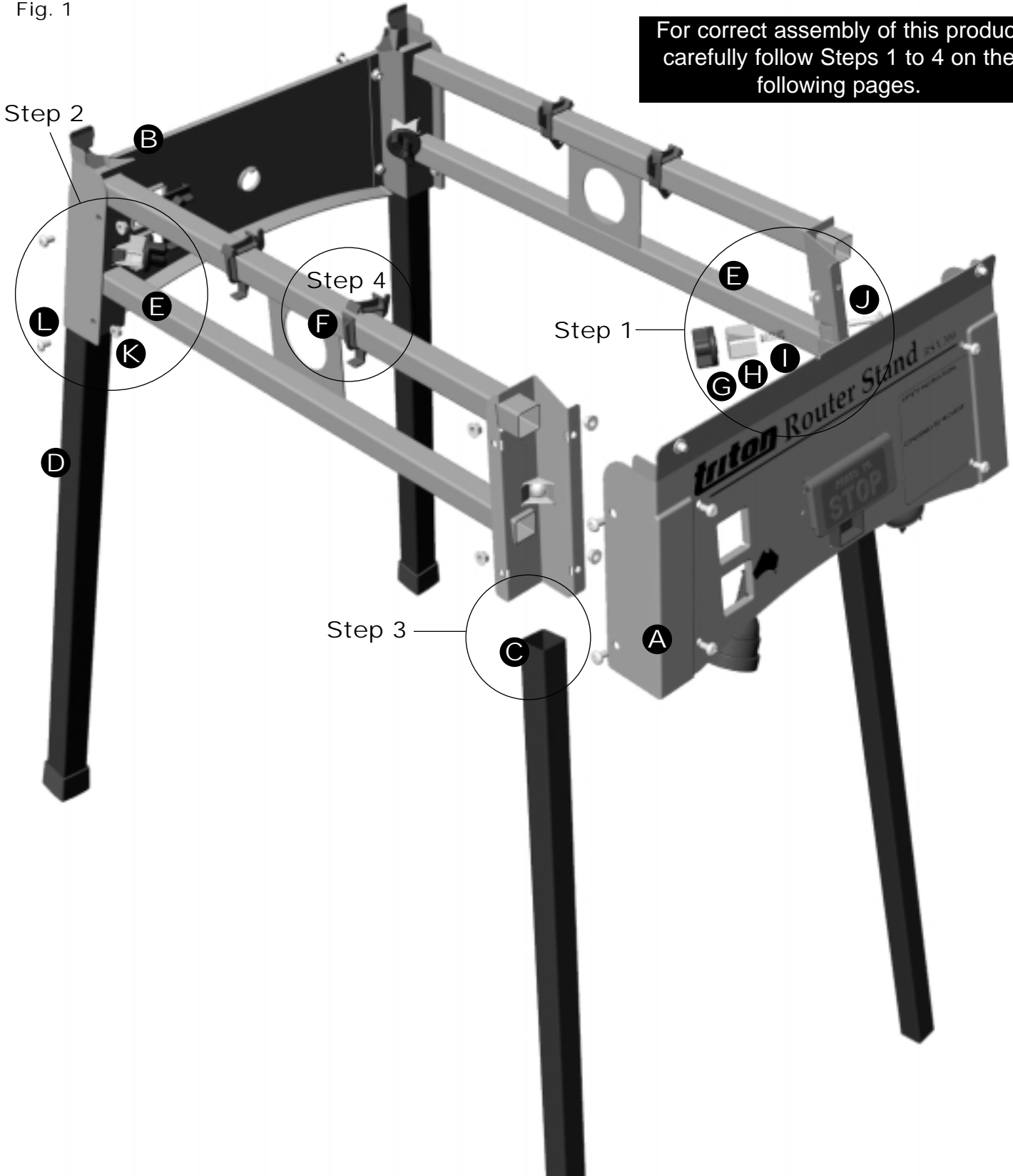
Thank you for purchasing the Triton Router Stand. Please take a few minutes to read these instructions before beginning to assemble the product.

This stand is designed to accept all Triton Router Tables with red plastic slide catches at the rear (manufactured from 1985 onwards).

triton Router Stand RSA300

Fig. 1

For correct assembly of this product carefully follow Steps 1 to 4 on the following pages.



PARTS LIST	Qty.	Ref.	Contents of fastener bag	Qty.	Ref.
Front End Panel	1	A	Mounting Plate Locator	4	F
Rear End Panel	1	B	Round Knob	4	G
Front Leg (packed inside rear leg)	2	C	Leg Clamp	4	H
Rear Leg	2	D	Leg Clamp Spring	4	I
Side Frame	2	E	Coach Bolt	4	J
			Flange Nuts	16	K
			Philips Head Screw	16	L

ASSEMBLY

Step 1: Fit two Leg Clamps (H) to each Side Frame (E) using the Coach Bolts (J), Leg Clamp Springs (I) and Round Knobs (G) (Fig. 1). The feet of the leg clamps should enter into the slots on the end panels. Screw on the knobs just a few turns only.

Step 2: Attach the side frames to the Front & Rear End Panels (A & B) using the Philips-head Screws (L) and Flange Nuts (K), as shown. Do not yet tighten. Once all fasteners are in position place the unit on a flat work surface and tighten firmly with a screwdriver.

Step 3: Turn the unit upside down.

Remove the Front Legs (C) from their storage position inside the Rear Legs (D).

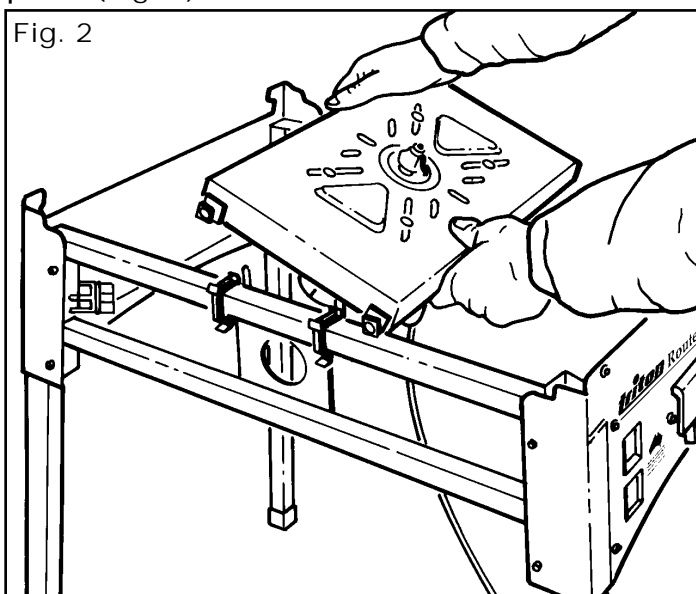
Insert the rear legs (with rubber feet) fully into their sockets at the rear of the unit. Insert the front legs fully into the front sockets. The location of the holes in each leg is not important at this stage. Lock them by tightening the round knobs.

Turn the Router Stand right way up and test that all feet sit level on the ground. If on an uneven surface make any necessary adjustments by extending one of the legs slightly from its' socket to prevent the unit from rocking.

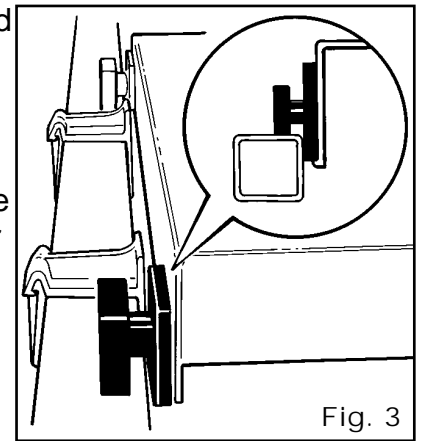
Step 4: Clip the Mounting Plate Locators (F) over the tubes of the side frames. Locate them approximately as shown as their final position is determined when the router table is fitted.

FITTING THE TRITON ROUTER TABLE

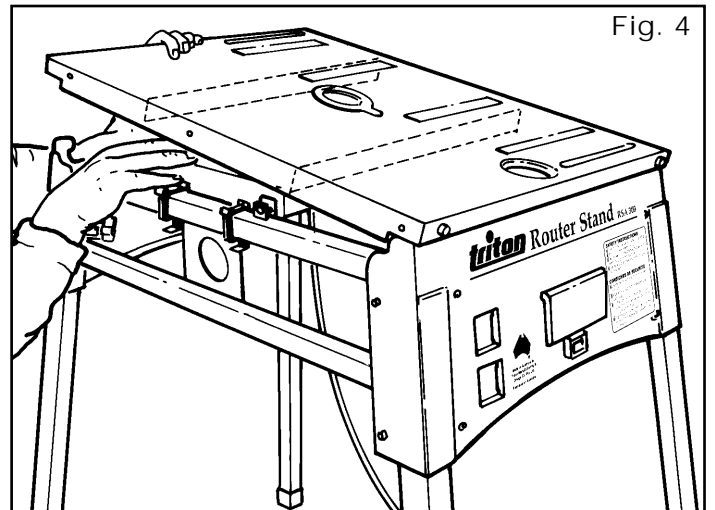
Place your mounting plate halfway along the tubes of the side frame with the router plate locators positioned between the bearings on the plate. (Fig. 2).



The bearings should sit on top of the frame with their bases against the inside face of the tubes. (Fig. 3). If the plate is too loose or too tight between the tubes bend the sides of your plate inward or outward slightly until the bearings fit snugly.



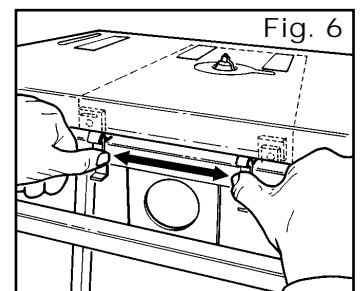
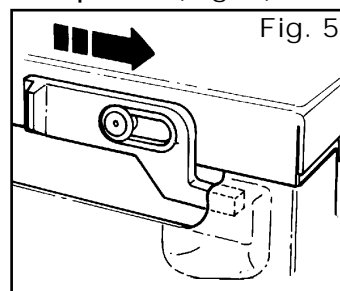
Important: This stand has been designed to maximise the cut depth of your power tool. For this reason it is necessary to remove the cork pads from under your router table using a utility knife or similar.



Fit the Router & Jigsaw Table onto the stand by locating the conical pins on the front panel through the holes in the front of the table then lowering the table over the two upstanding "fingers" at the top of the rear panel. (Fig. 4).

Position the slide plate so that it fits between the ribs on the underside of the table, as shown.

Lock the table in position by sliding the red plastic catches across into the indents in the rear panel. (Fig. 5).

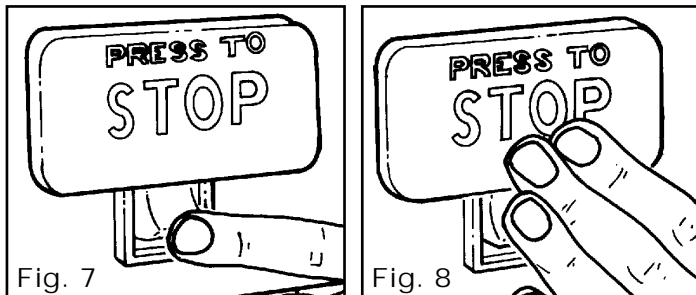


Slide the router plate locators away from each other until they touch the bearings. (Fig. 6). They act as location points for future fitting of the plate.

triton Router Stand RSA300

SWITCHBOX OPERATION

Before connecting the power, practice switching on and off. (Figs. 7 & 8).



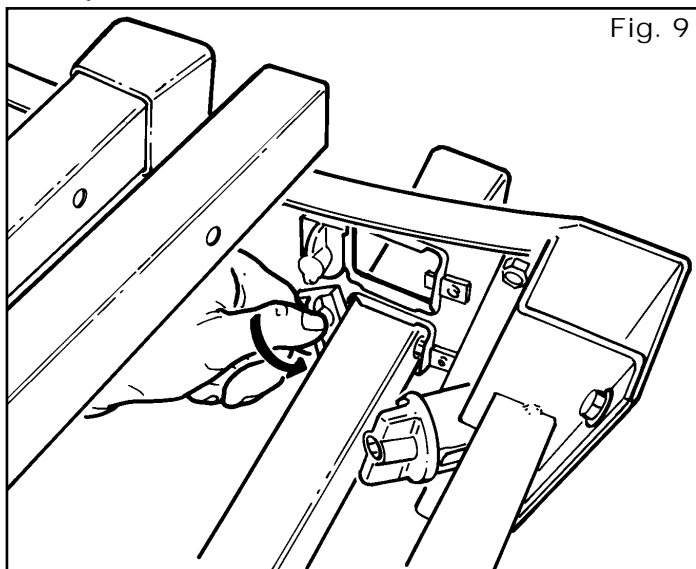
Press the green switch with your finger to switch the power "ON". Tap the stop plate with your hand to switch "OFF", as shown.

Make sure the switch is "OFF", plug your power tool into the switchbox inside the front panel, and bring power to the switchbox via an extension cord.

STORING THE LEGS

The legs have a convenient onboard storage location.

Loosen the round knobs and remove the legs from their sockets. Slide the front legs inside the rear legs ensuring that the holes in each tube line up.



Insert the legs through the cut-outs in the rear panel and into the cut-outs in the front panel with their holes facing outwards (Fig. 9). Engage the holes in the legs over the tabs on the rear panel cut-outs and rotate the latches to lock the legs in position.

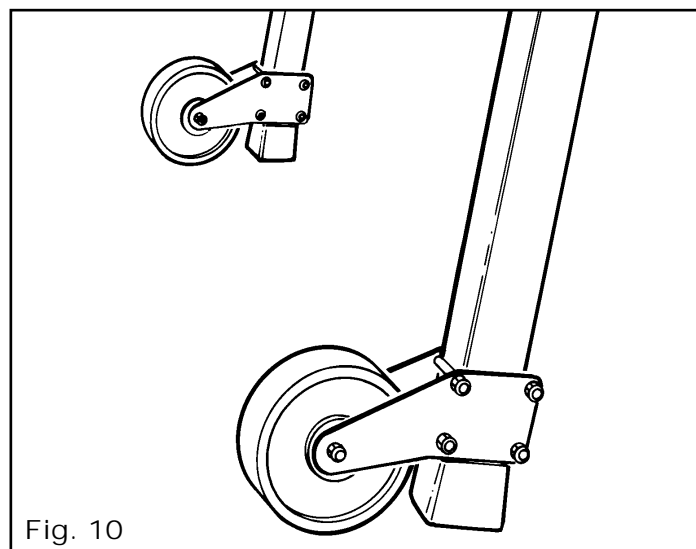
GET ONTO THE MAILING LIST

Make sure that you send in your Warranty Registration Certificate. This automatically gets you onto our mailing list for product updates and details of new developments. If you change address please let us know so that we can continue to keep in touch.

OPTIONAL COMPACT WHEEL KIT

(Product Code AWA100)

The optional Triton Compact Wheel Kit fits this Router Stand for easy mobility. (Fig. 10).



When fitting the optional Wheel Kit to the rear legs ensure the wheels are not fitted to the same side as the holes in the legs.

Due to our company policy of continuous product improvement, specifications may change without prior notice.

Made in Australia by: Triton Manufacturing & Design Co. Pty. Ltd. ACN 000 195 951 ABN 43 000 195 951
14-18 Mills St, Cheltenham, Vic. 3192 Ph: (03) 9584 6977 Fax: (03) 9584 5510
E-mail: tools@triton.net.au Web Site: <http://triton.net.au>

International Offices:

Canada - Toll Free: 1 888 874 8661

Japan - Free Call: 0120 171 079

New Zealand - Ph: (09) 415 2545

South Africa - Free Call: 0800 600 432

United Kingdom - Free Call: 0800 856 7600

USA - Toll Free: 1 888 874 8661