



Router & Jigsaw Stand *Series 2000*



Assembly Instructions

Dear Triton Owner,

Thank you for purchasing the Triton Router and Jigsaw Stand. Please take a few minutes to read these instructions before beginning to assemble the product.

This stand is designed to accept all models of the Triton Router and Jigsaw Table. Tables manufactured prior to 1985 (without red sliding catches at the rear) will need to be modified slightly to fit this stand. Please contact our Service Department in Melbourne for details.

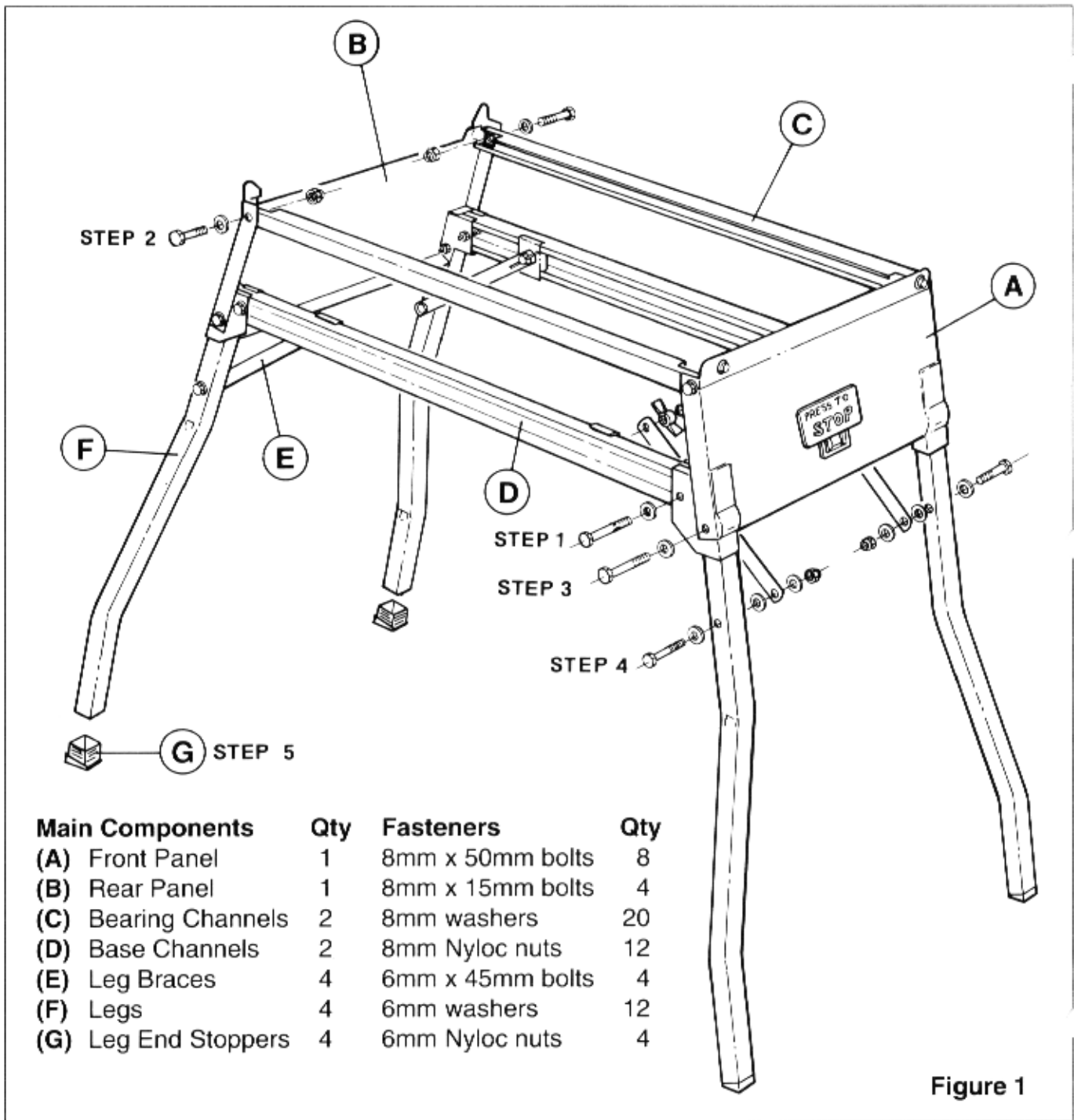


Figure 1

Step 1

Fit the Base Channels (D) between the Front Panel (A) and the Rear Panel (B) as shown in Figure 1 and fit four 8mm x 50mm bolts where labelled "Step 1".

Note that you use washers under the bolt heads and also under the Nyloc nuts. Use a ring, socket or adjustable spanner to hold the nuts while using another spanner to tighten the bolts. **DO NOT OVERTIGHTEN**, as you could deform the base channel and the Leg Bracket.

Step 2

Fit the Bearing Channels (C) between the front panel (A) and the rear panel (B), making sure the cut-outs at the ends of the channels are facing upwards. Fit the four 8mm x 15mm bolts where labelled "Step 2".

Note that in this case, you only use washers under the bolt heads. Nut Retainers have been pre-assembled into the bearing channels to prevent the nuts from rotating. After starting the nut on the bolt, you will need to hold the nut in the nut retainer while tightening the bolt. As the nut seats, the bolt can be fully tightened.

Step 3

Turn the unit upside-down for Steps 3 and 4. Fit the four legs (F) as shown in Figure 1, making sure they angle outwards. Fit the remaining 8mm x 50mm bolts where labelled "Step 3". Fit 8mm washers under the bolt heads and also under the Nyloc nuts. Tighten firmly, but make sure you do not overtighten and deform the leg brackets. The legs must be firm, but still free to pivot.

Step 4

Fold the legs out to the fully open position. Loosen the butterfly handles on the clamps fitted inside the base channels, and swing the Leg Braces (E) into position. Fit the four 6mm x 45mm bolts through the legs and leg braces where labelled "Step 4" on Figure 1.

Use three 6mm washers at each leg - one under the bolt head, one between the leg and the leg brace, and one under the Nyloc nut. Tighten firmly but do not overtighten. With the legs in the fully opened position, lock the clamps in the base channels by firmly hand-tightening the butterfly clamps.

Turn the unit right-way up and check the legs are fully extended and tightly locked. The unit should not rock when placed on a reasonably flat and level floor.

Step 5

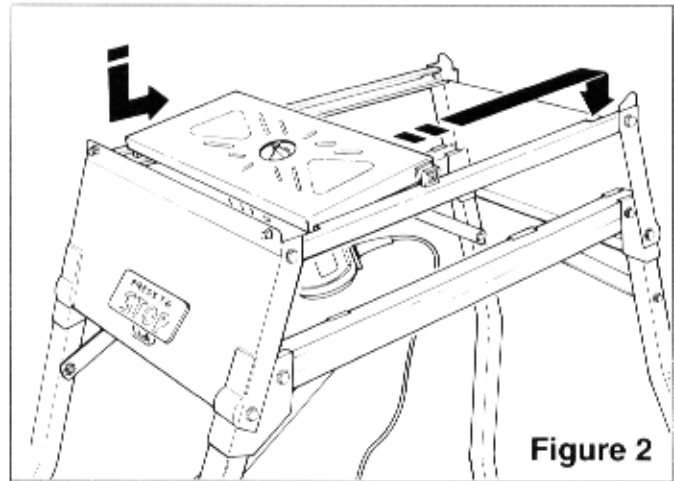
Lift each leg in turn and fit the Leg End Stopper (G) into the leg, making sure it is angled the correct way as shown in Figure 1. Push the leg down firmly onto the floor to drive the stopper home.

Step 6

Spray the open faces of the bearing channels with a lubricant such as RP 7 or WD 40 or spray silicone.

Fit the Router/Jigsaw Slide Plate to the Stand as shown in Figure 2, by lowering two bearings into the cut-outs in the bearing channels at one end, and sliding the plate along to the other end where the remaining two bearings will drop into the channels.

Centralise the slide plate so that it is roughly half-way between the two end panels.



Step 7

Fit the Router/Jigsaw table top as shown in Figure 3, by fitting the end which has two round holes over the rivets at the top of the front panel, and lowering the table over the two upstanding "fingers" at the top of the rear panel.

You may have to slightly adjust the position of the slide plate, to guide it between the two locating angles welded to the underside of the table. Once the exact position of the slide plate is determined, it is useful to mark reference lines on the bearing channels to make future alignment easier.

Lock the table firmly in position by sliding home the two red plastic catches at the rear of the table top, as shown in the rear view inset of Figure 3.

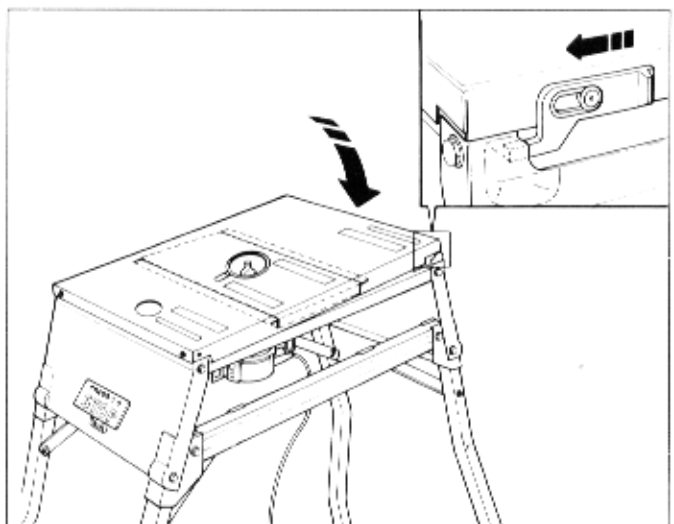
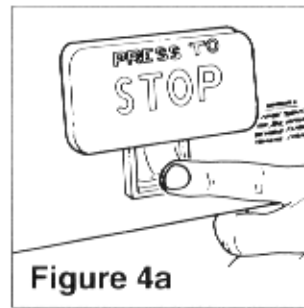
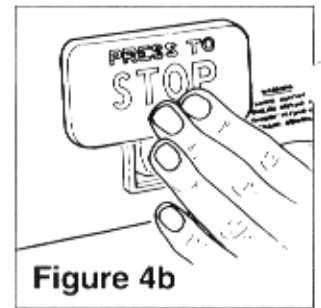


Figure 3

Step 8

Before fitting an earthed extension cord to the switchbox on the front panel, and before plugging in the router or jigsaw, carefully check the action of the Switch and the Stop Plate.

The switch, when pressed ON as shown in Figure 4(a), should snap on with a crisp, clean action. The red Stop plate should not be pressing against the switch in the ON position. Bend it slightly upwards a few times to loosen the hinging action if it is touching.

**Figure 4a****Figure 4b**

Switch OFF by firmly pushing the Stop plate with your palm. The action should again be crisp and clean. Figure 4(b).

SAFETY INSTRUCTIONS

- Position the stand on firm level ground and make sure the legs are fully opened and locked.
- Always switch off the power tool (and remove the power lead) whenever changing cutters, removing the tool, when you have finished work, or when you are leaving the unit unattended.
- Always wear eye protection. Additionally, we recommend you wear a dust mask and use ear muffs.
- Make sure you read and understand the operating instructions that were supplied with the Triton Router & Jigsaw Table before using this product.

WARRANTY

The Triton Router & Jigsaw Stand is covered by the manufacturer's guarantee. If during the guarantee period of 12 months from purchase date, the product becomes defective due to faulty materials or workmanship, Triton guarantees to repair it free of charge or replace the faulty part free of charge provided that the product has not been misused.

Please note that due to our company policy of continuous product improvement, specifications may change without notice.

TRITON MAILING LIST

If you want to be informed about new product developments at Triton, make sure that you fill in and return the enclosed warranty registration coupon to our Victorian address. Please print clearly and ensure your serial number is shown. We will automatically put you on our mailing list.

Triton Manufacturing & Design Co. Pty. Ltd.
A.C.N. 006 021 683
14-18 Mills Street, Cheltenham, Vic., 3192
Phone: 03 9584 6977 Fax: 03 9584 5510
 Triton Manufacturing & Design Co. Pty. Ltd.
 1/3 Kaleski Street, Moorebank, N.S.W., 2170
 Phone: 02 822 4111 Fax: 02 822 4155
 Trevor Warnock Sales
 10 Edmonstone Road, Bowen Hills, Qld., 4006
 Phone: 07 252 7666 Fax: 07 252 1432

William C. Keany & Son Pty. Ltd.
 152 Frederick Street, Welland, S.A., 5007
 Phone: 08 340 2833 Fax: 08 340 2878
 Crommelins Australia
 139 Welshpool Road, Welshpool, W.A., 6106
 Phone: 09 350 5588 Fax: 09 451 6381
 Argus Agencies
 51 Glen Dhu Street, Launceston, Tas., 7250
 Phone: 003 44 7277 Fax: 003 43 1709